

# AFi75xx

## 12"/30 cm

### Blower/Exhauster

The compact, air driven AFi75xx ventilator exhausts the air outside of the duct, not in airstream. The hazardous location blower/exhauster provides protection and peace of mind to the user.

### Specifications

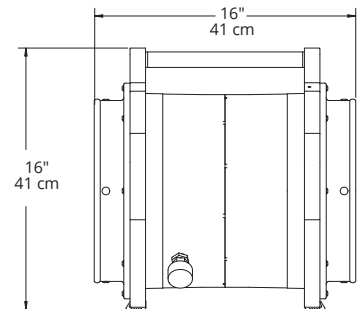
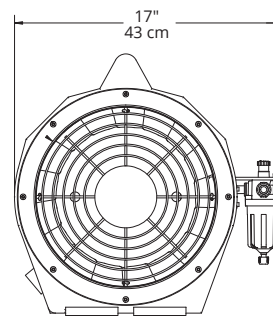
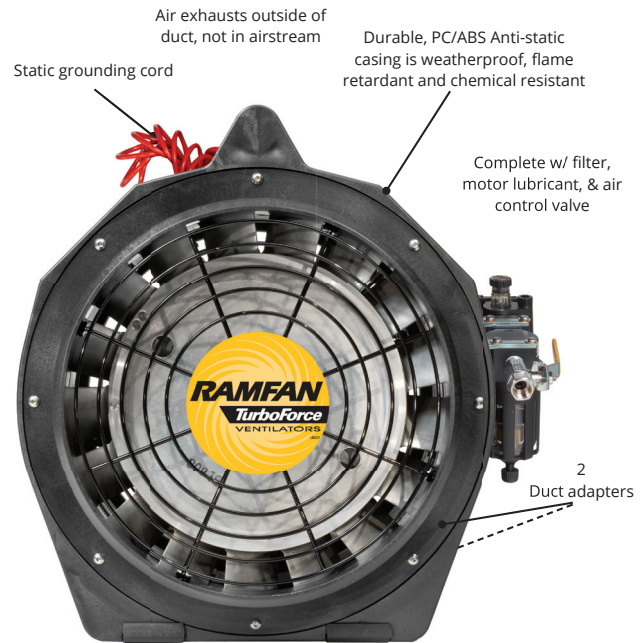
<b>Model</b>	<b>AFi75xx</b>
Part #	AB7000
IMPA Code	591511, 591425
Motor	GAST 4AM-NRV-50C
Motor Type	Totally Encapsulated Air Flame Proof
Operating Temperature	-22°F to +104°F / -30°C, to +40°C
Noise	89 dB @ 3' (1 m)
Run Time	Continuous
Weight	38 lbs /17 kg
Dimensions (h/w/d)	16 x 17 x 16 in / 41 x 43 x 41 cm
Duct Adapters	2
<b>AIR CONSUMPTION AND HORSEPOWER REQUIREMENTS FOR AIR COMPRESSOR*</b>	
Air Pressure (PSIG) Inlet Air	80
Air Consumption	40 scfm / 68 m³/hr
Compressor Hp	6.4 Hp
Induction Ratio	51:1

\*Values are shown for single-stage piston-type air compressors operating at 85% efficiency, and working on intake air under standard conditions.

### « Certifications & Approvals

AFi75xx Motor Certification String

Ex II 2 GD c T4+1° C < Ta < +40° C



### Performance

<b>Airflow</b>	
Free Air	2,042 cfm (3,471 m³/hr) (measurement @ 80psig inlet air)

### Available Accessories

#### Duct Adapter/Reducer

Order # EC0301  
12" (30 cm) - 8" (20cm) diameter Duct Adapter/Reducer for the 30cm AFi75xx



#### ECKO Flex™ Anti-Static Duct with carrying bag

Order # FDT-1215CBB - 12" (30cm) anti-static duct 15' (4.6 m), w/ carrying bag  
Order # FDT-1225CBB - 12" (30cm) anti-static duct 25' (7.6 m), w/ carrying bag

