




SCAN ME



TECHNICAL SPECIFICATIONS

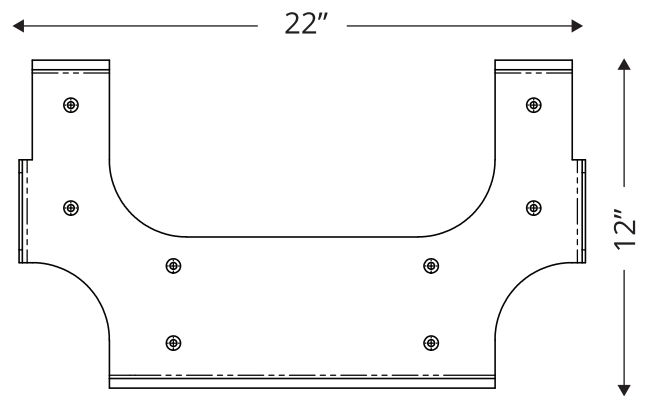
40V 18" / 46cm

ORDER #	115V EL5500-2PK	230V EL-552302PK
MOTOR	1 hp BrushlessPPV™	
RUNTIME @ MAX SPEED	DC: 45 minutes (two battery packs) AC: Unlimited	
INPUT VOLTAGE RANGE	85-264V 1Φ, 50/60 HZ	
CONSUMPTION (running @ 100%, AC)	748W	
CONSUMPTION (CHARGING)	81W	
CHARGER OUTPUT	1.5A, per battery (simulatneous)	
BATTERY SYSTEM	40V Lithium-ion	
BATTERY SYSTEM PERFORMANCE		
NOMINAL ENERGY	504 Wh	
MAXIMUM DISCHARGE CURRENT	48A	
BALANCING	Adaptive Passive Method	
CYCLE LIFE DoD 80%	>500 Cycles (at 1C charge/discharge 100% DoD)	
IP RATING	IP66	
COMMUNICATION	Wireless NFC/BLE	
RECYCLING MODE		Safely Recycle by draining residual energy
MAINTENANCE MODE	Initiate Cell balancing in low use fans	
DIMENSION	22 x 21 x 16 in / 56 x 53 x 41 cm 22 x 21 x 12 in / 56 x 53 x 30 cm (wheel kit removed)	
WEIGHT	54 lbs / 25 kg	
NOISE	< 87 dB	
OPERATING TEMP RANGE	-4°F to 105°F / -20°C to 40°C	
CHARGE TEMP RANGE	-32°F to 105°F / -0°C to 40°C	
TILT	-10° to 34°	
CONFORMS TO:	CE AMCA	
AMCA 240-15 AIRFLOW *Independent Verification		
BATTERY POWER	10,120 cfm (17,194 m³ / hr)	

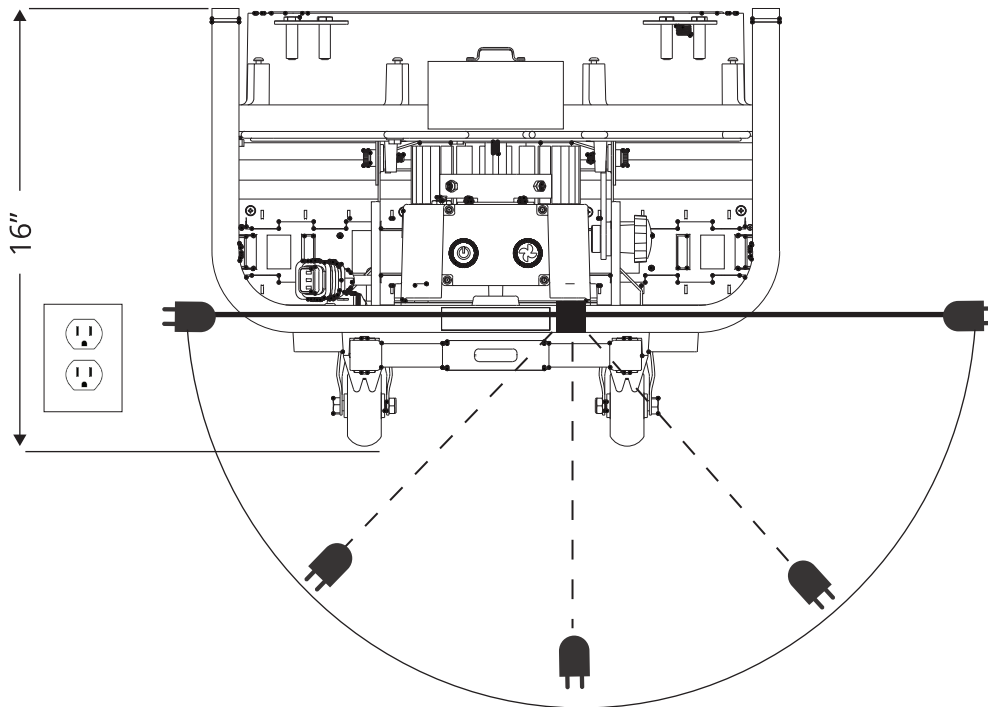
041423

TRUCKFIT

FAN	SIZE		DIMENSIONS (HxWxD)	
	in	cm	in	cm
40V	18	46	22 x 21 x 16	56 x 53 x 41



Vehicle Mount



10"
AC outlet placement
for ontool charging

**Custom cord lengths available upon request*