



SCAN ME



## TECHNICAL SPECIFICATIONS

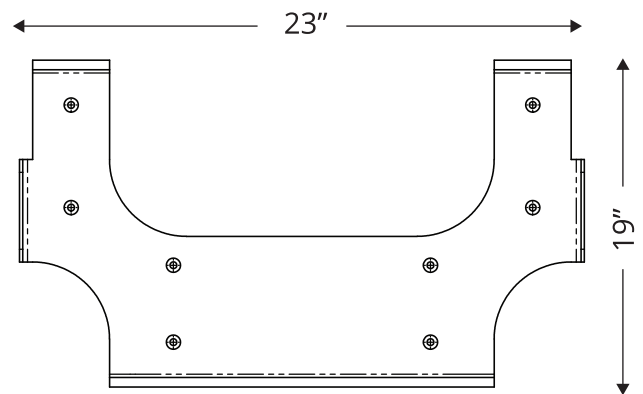
52V 18" / 46cm

<b>ORDER #</b>	115V EL6525-2PK	230V EL6525-E-2PK
<b>MOTOR</b>	2 hp BrushlessPPV™	
<b>RUNTIME @ MAX SPEED</b>	DC: 45 minutes (two battery packs) AC: Unlimited	
<b>INPUT VOLTAGE RANGE</b>	85-264V 1Φ, 50/60 HZ	
<b>CONSUMPTION (running @ 100%, AC)</b>	1638W	
<b>CONSUMPTION (CHARGING)</b>	81W	
<b>CHARGER OUTPUT</b>	1.5A, per battery (simulatneous)	
<b>BATTERY SYSTEM</b>	52V Lithium-ion	
<b>BATTERY SYSTEM PERFORMANCE</b>		
<b>NOMINAL ENERGY</b>	749 Wh	
<b>MAXIMUM DISCHARGE CURRENT</b>	112A	
<b>BALANCING</b>	Adaptive Passive Method	
<b>CYCLE LIFE DoD 80%</b>	>500 Cycles (at 1C charge/discharge 100% DoD)	
<b>IP RATING</b>	IP66	
<b>COMMUNICATION</b>	Wireless NFC/BLE	
<b>RECYCLING MODE</b>	Safely Recycle by draining residual energy	
<b>MAINTENANCE MODE</b>	Initiate Cell balancing in low use fans	
<b>DIMENSION</b>	23 x 21 x 21 in / 58 x 53 x 53 cm	
<b>WEIGHT</b>	63 lbs / 29 kg	
<b>NOISE</b>	< 90 dB	
<b>OPERATING TEMP RANGE</b>	-4°F to 105°F / -20°C to 40°C	
<b>CHARGE TEMP RANGE</b>	-32°F to 105°F / -0°C to 40°C	
<b>TILT</b>	-10° to 34°	
<b>CONFORMS TO:</b>	CE AMCA	
<b>AMCA 240-15 AIRFLOW *Independent Verification</b>		
<b>BATTERY POWER</b>	12,377 cfm (21,041 m³ / hr)	

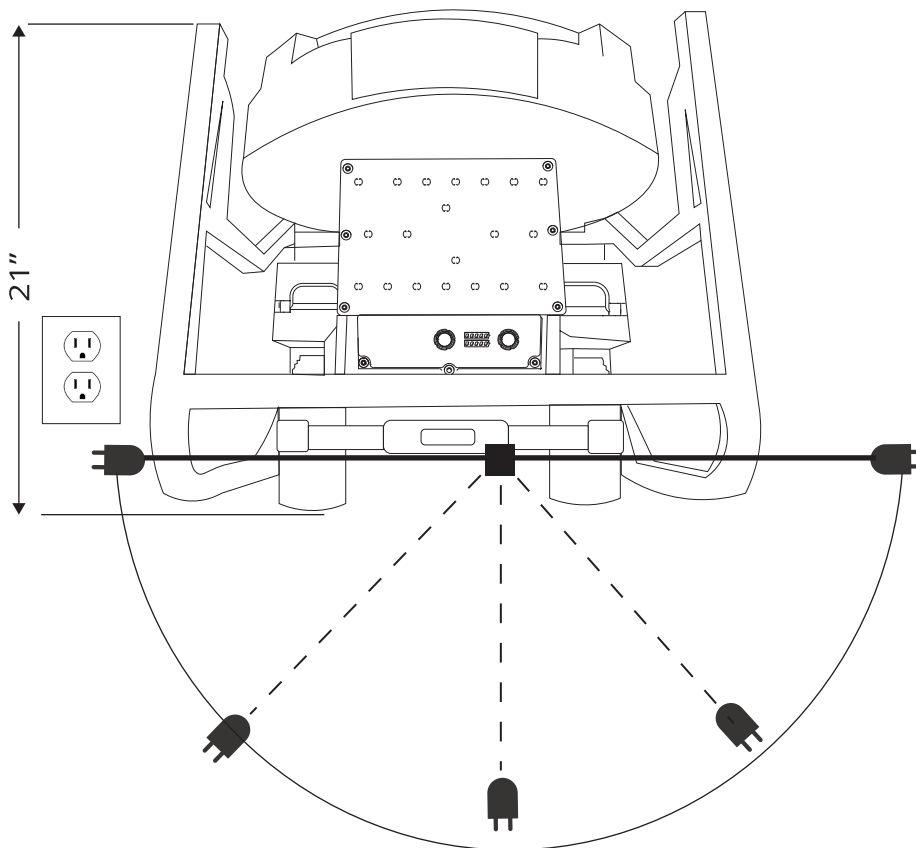


## TRUCKFIT

FAN	SIZE		DIMENSIONS (HxWxD)	
	in	cm	in	cm
52V	18	46	23 x 21 x 21	58 x 53 x 53



Vehicle Mount



**10"**  
AC outlet placement  
for ontool charging

*\*Custom cord lengths available upon request*